

SWIT®**PL-E60P/PL-E90P****Edge gleaming water-proof LED panel light**

Ver: B

USER MANUAL

SWIT Electronics Co.,Ltd.Tel:+86-25-85805753
Fax:+86-25-85805296
http://www.swit.cc
E-mail: contact@swit.cc

Thank you for choosing our products, please read this user manual carefully before using.

Introduction

This product is designed and apply to use in film, TV, photography and studio lighting, also can be used in theater, concert or other entertainment stage lighting.

Specification

Model	PL-E60P	PL-E90P
Color temperature	2700K-6500K	
Brightness	0%-100%	
luminance	1500 Lux@1m	2200 Lux@1m
Half beam angle	About 70°(no honeycomb) About 40°(with honeycomb)	
Beam angle	110	
CRI	96	97
TLCI	99	
Working Voltage	DC 11-36V	About 105W
Output Power	About 60W	
Energy Efficiency Index	<G> Test under this parameter: Dimmer=100%, CCT=6500K	
Ingress Protection	IP54	
Dimension	Details find fig1、2、3	
Lighting Area	255mm x 255mm	522mm x 255mm
Net Weight	3.5Kg	5.3Kg

Dimension

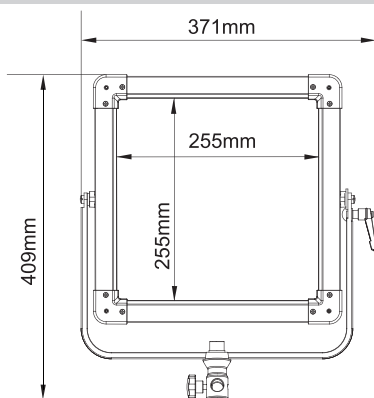


Fig 1 PL-E60P

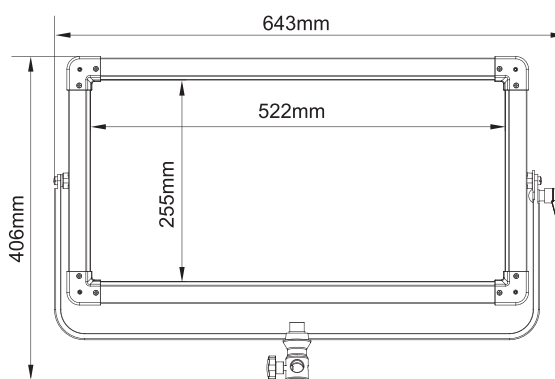


Fig 2 PL-E90P

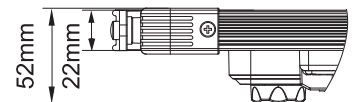


Fig 3 PL-E60P/PL-E90P

Caution

1. Please do not disassemble the light or touch its inner part with metal;
2. Please do not put the light under conditions full of dust or moisture to avoid damage;
3. USB socket is reserved socket; pls use according to specified using environment for related products, and do not use for other purpose to avoid damage.
4. When using interaction control function, pls do not connect to DMX output equipments, otherwise this function can not be used.
5. Only use the light in the temperature range of -10°C~40°C.

1/5

Maintain

1. Please clean the front LED panel with soft dry cloth. If using soft cloth with slight clean neutral detergent solution, please wipe again with a soft dry cloth.
2. Do not use wet cloth, anhydrous alcohol, gasoline, or a mixture of anhydrous alcohol and ether etc. to wipe the front LED panel.

Appearance

Front view:

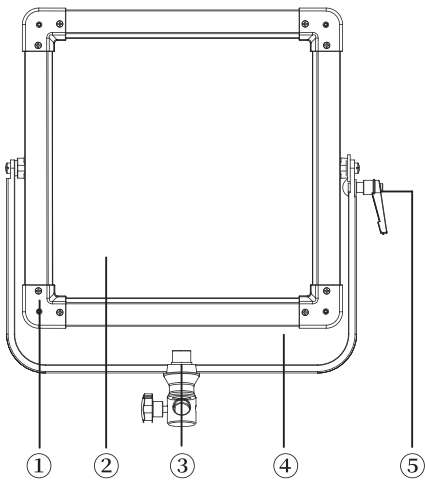


Fig 4 PL-E60P

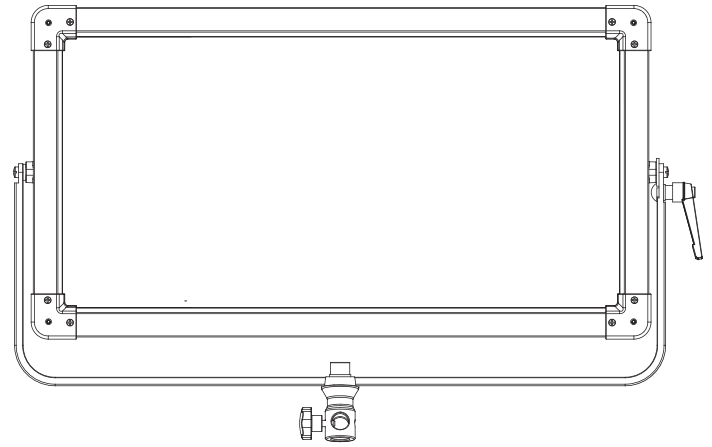


Fig 5 PL-E90P

Rear view

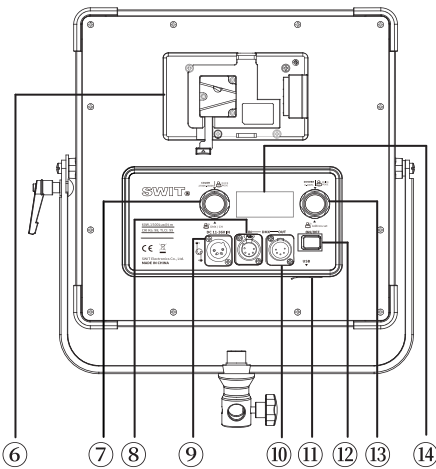


Fig 6 PL-E60P

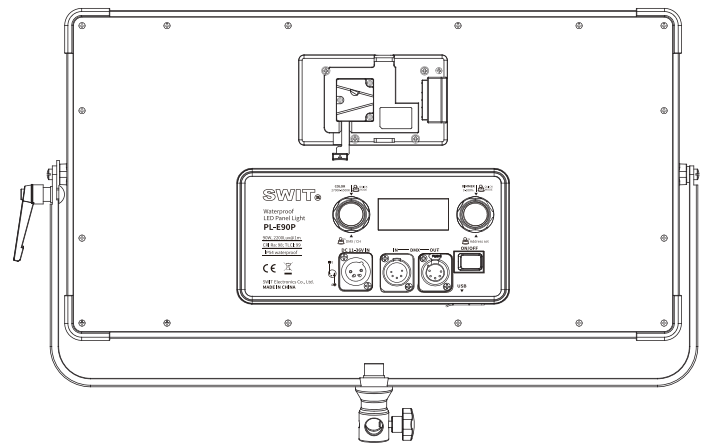


Fig 7 PL-E90P

LCD display

For example: color temperature 5600K, dimmer 100%, powered by fully charged battery ,DMX communication mode, address008, it will display as below:

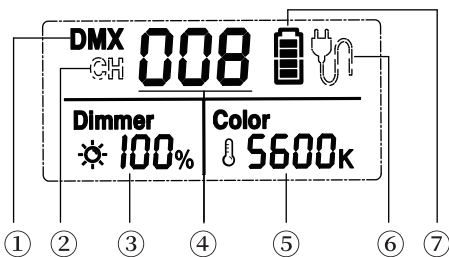


Fig 8 LCD Display

- ① Current communication control mode—DMX communication mode
- ② Current communication control mode—interaction control mode
- ③ Brightness display
- ④ Communication address
- ⑤ CT display
- ⑥ Power supply display(AC adaptor power supply)
- ⑦ Power supply display(battery power supply)

Note: When powered by battery, the battery capacity will be displayed as below:

Four LEDs	About 80%-100%
Three LEDs	About 60%-80%
Two LEDs	About 40%-60%
One LED	About 20%-40%
No display (outline boarder flicker)	Under 20%, lack of power

Optional Accessory Installation

Fig. 9~12 is the installation instruction for PL-E60P; the installation of PL-E90P is the same as PL-E60P.

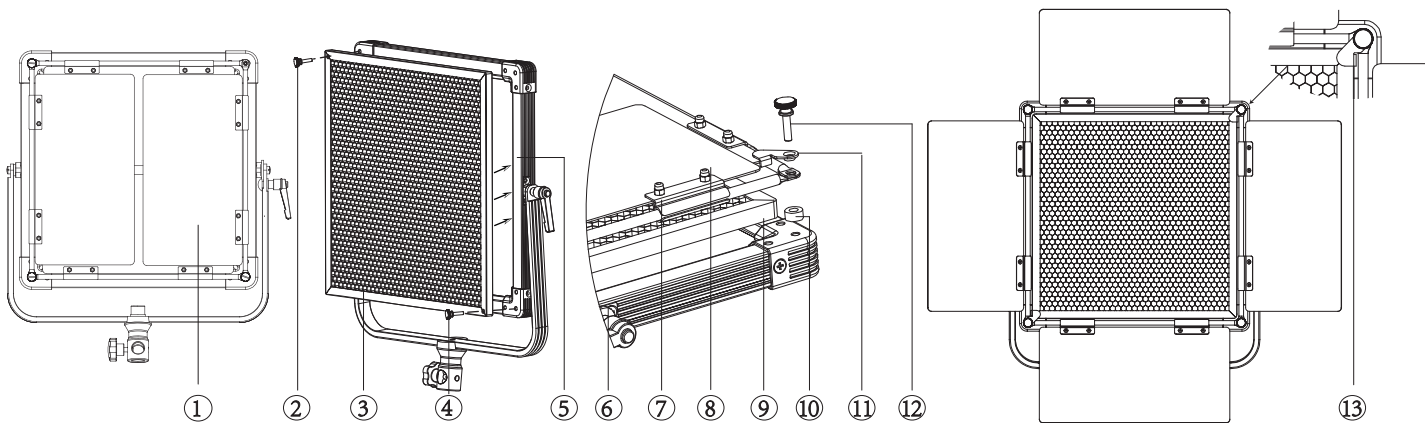


Fig 9 Barn door installation **Fig 10** Big Honeycomb installation **Fig 11** Barn door installation **Fig 12** Small Honeycomb installation

①⑧ Barn door	⑤⑥ Light body	⑨ Small Honeycomb	⑪⑬ Pressure plate
③ Big Honeycomb	⑦ Low head screws	⑩ shim	②④⑫ screws

● **The way to install the barndoor is shown as Fig.9 and Fig.11.**

Note: Put the low head screws upward during the installation.

● **Please confirm the types of honeycomb before using it. (The types of honeycomb size are shown as below).**

1) **Purchase of big honeycomb**

The way to install the honeycomb is shown as Fig.10.

2) **Purchase of small honeycomb**

The small honeycomb can be used with the barndoor simultaneously. Fix the honeycomb by rotating the pressure plate (see Fig.12 ⑬) after the installation as shown in Fig.11, and then use the light normally.

Honeycomb type	PL-E60P	PL-E90P
Big honeycomb (L x W x H)	290mm x 290mm x 10mm	558mm x 290mm x 10mm
Small honeycomb(L x W x H)	268mm x 268mm x 10mm	536mm x 268mm x 10mm

Usage

1. Installation

1.1 Accessory installation

Pls check Optional Accessory Installation for the honeycomb (Fig.10 ③/ Fig.11 ⑨) and barn door (Fig. 9 ①) installation.

1.2 User can install the light on a tripod or stand, and adjust demanded beam angle by knob on both sides of the U-stand.

2. Power supply

The light provides two ways of power supply, by V-mount or Gold mount battery or by 4-pin XLR AC-DC power. Turn on the light (Fig. 6 ⑫) and set the color temperature (Fig.6 ⑬) and brightness (Fig. 6 ⑦) to user's requirements.

Tips: The connection and disconnection of power adaptor XLR.

(1) Connection

Align the hump of output male XLR to the gap of the DC socket,connect XLR and DC socket,the adaptor will connect with the light when you hear the crack sound.

(2) Disconnection

Hold the hump of the DC output female XLR and pull out,the power adaptor and the light will be disconnected.

3. Dimmer and color temperature setting

The light provides two ways of adjusting the color temperature and brightness: normal adjusting mode and quick adjusting mode. User can switch the adjusting mode by press the dimmer knob and color temperature adjusting knob (Fig.6. ⑬/⑦).

User can quickly set the dimmer and color temperature to their needs by combining two adjusting modes.

3.1 Normal adjusting mode

(1). Color temperature adjust

Range: 2700K-6500K, adjust value: 50K

(2). Dimmer adjust

Range: 0%-100%, adjust value: 1%

3.2 Quick adjusting mode

(1).Color temperature adjust

Under this mode, user can quickly choose common color temperature: 2700K, 3200K, 4500K, 5600K, and 6500K

(2).Dimmer adjust

Range: 0%-100%, adjust value: 10%

4. Communication Address Setting and Usage

Press and hold dimmer knob (Fig 6 ⑬) for 2s to enter communication address setting interface, the address setting range is 001 to 512. LCD digital tube (Fig 8 ④) flashing means the current address is selected, rotate the brightness adjusting knob (Fig6 ⑬) to set the current address, press the brightness adjusting knob (Fig 6 ⑬) to confirm, when finish the last setting, press the brightness adjusting knob (Fig 6 ⑬) or wait for about 5s to quit.

5. Communication Control Mode Setting and Usage

Connect the lights network through using DMX cable. Press and hold color temperature adjusting knob (Fig. 6 ⑦) for around 2 seconds to complete the communication control setting.

5.1. DMX Communication Mode

The upper left corner of LCD shows "DMX" (Fig. 8 ①) indicating that the communication control mode currently is the DMX communication mode. In this mode, connect the DMX signal output device to the lights network, and set up the communication address to work normally.

A light occupies 2 DMX control channels. The current DMX address (N) is brightness control, and the next set address of the current value (N+1) is color temperature control.

For example:

DMX Communication address	DMX Control address	Function
005	005	Brightness 0%-100%
	006	Color temperature 2700K-6500K

5.2. Interaction Control Mode

The upper left corner of LCD shows "CH" (Fig8 ②) indicating that the communication control mode currently is interaction control mode. In this mode, set the target lights to the same communication address to work normally, and the master-slave machine is not distinguished.

Note: when using this mode, please do not connect the DMX signal output equipment in the lighting network; otherwise the function can not be used normally.

6. USB socket

USB socket is reserved socket. Pls use according to specified using environment for related products, and do not use for other purpose to avoid damage

Packing list

	Packing list	Package 1	Package 2	Package 3
1	PL-E60P/PL-E90P	x 1	x 1	x 3
2	Power cable	x 1	x 1	x 3
3	Warranty card	x 1	x 1	x 3
4	Carrying case	x 1	/	/
5	User manual	x 1	x 1	x 3
6	Adaptor	x 1	x 1	x 3
7	Barn door	x 1	/	x 3
8	V-mount hook&loop	x 1	x 1	x 3
9	Tripod	/	/	x 3
10	Trolley case	/	/	x 1
11	Ring (Optional)	Customers can purchase separately according to the requirements		
12	Safety rope (Optional)			
13	DMX cable (optional)			
14	Honeycomb (Optional)			
15	Barn door(optional)			
16	Set of Barn door and Honeycomb(Optional)			

Note:

1. Package 1: Single light package (with barn door)
2. Package 2: Single light package
3. Package 3: KIT2 (with trolley case, barn door)
4. The adaptor and LED PCB board can be changed , the parameters of recommend adaptor are below:

No.	Specification	Parameter
1	DC output socket	4Pin XLR
2	Adapter output power polarity	Pin 1"-",Pin 4"+"
3	Working voltage	AC 100-240V, 50/60Hz
4	Output voltage	DC 11-36V
5	Voltage accuracy	±5%
6	Rated Power (Max.)	≥90W(PL-E60P) ≥105W(PL-E90P)
7	Power factor	≥0.9
8	Working temperature	-10°C-40°C